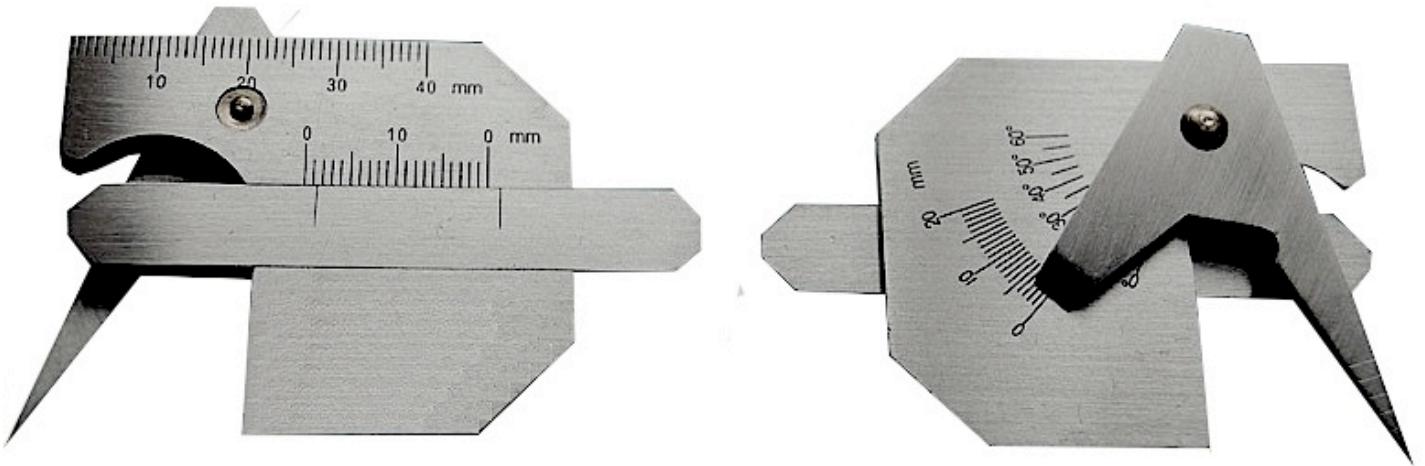


Welding inspection feet WG 01

(China)



The uses, measurement range and technical parameters of welding calipers are as shown in the table below

Measuring Items		Range	Tolerance for Indicating Value
Weld Line Height	Multi-purpose Gauge	0-20	$\pm 0,3$
	Slider	0-20	$\pm 0,2$
Welding Thickness		0-40	$\pm 0,2$
Weld Gap		1-3	$\pm 0,2$
Weldment Bevel Angle		0°-90°	30'

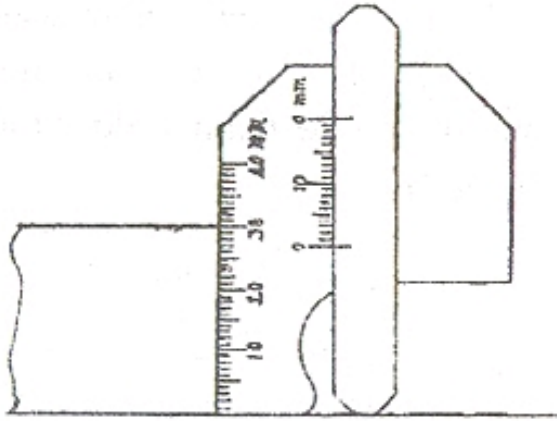
Instructions for Use

The product mainly consists of a main scale, a slider and a multi-purpose gauge. It is a weld detection gage used to detect the bevel angle of weldments, the height of various weld lines, weldment gaps and the plate thickness of weldments.

It is suitable for manufacturing boilers, bridges, chemical machinery, and ships and for inspecting the welding quality of pressure vessels.

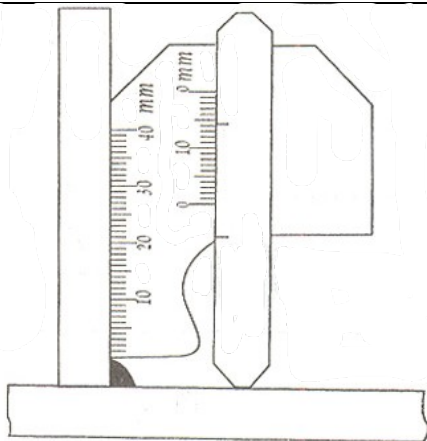
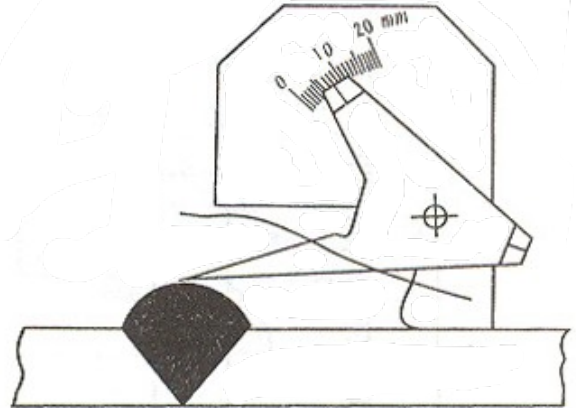
This product is made of stainless steel, with reasonable structure and beautiful appearance, which is easy to use.

1. Instructions for Use



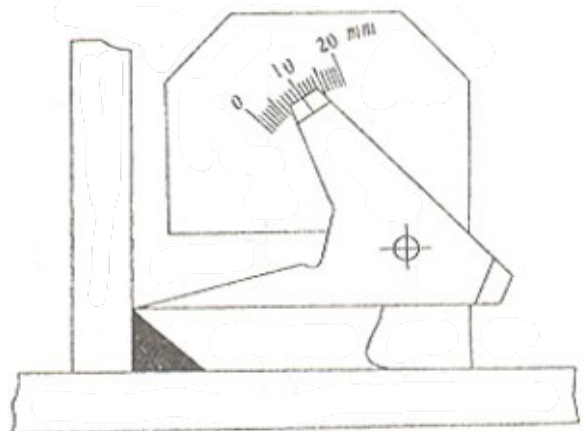
The edge scale can be used as straight steel ruler to detect the thickness of 0-40mm sheets.

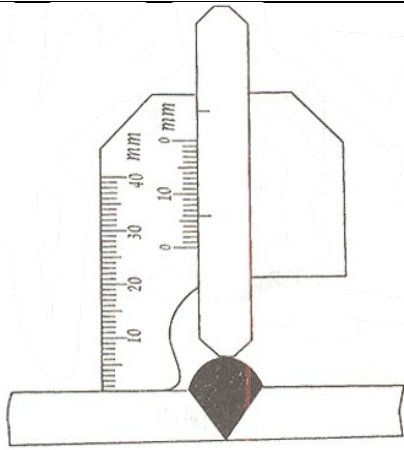
The multi-purposed gauge is used to measure the height of butt weld lines. The indicator on the multi-purpose gauge corresponding to the scale on the main scale is the height of the butt weld line.



The slider is used to measure the height of fillet welds. The indicator on the slider corresponding to the scale on the main scale is the height of the fillet weld.

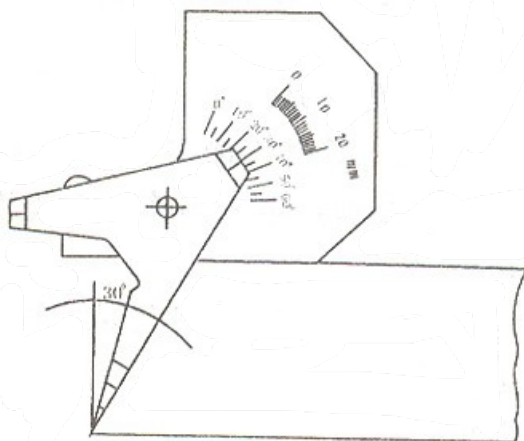
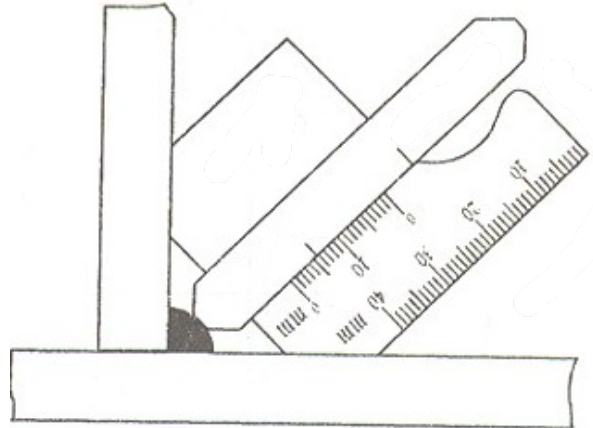
The slider is used to measure the height of fillet welds. The indicator on the slider corresponding to the scale on the main scale is the height of the fillet weld.





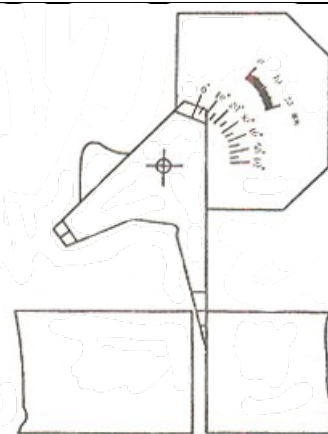
The slider is used to measure the height of fillet welds. The indicator on the slider corresponding to the scale on the main scale is the height of the fillet weld.

In measuring the height of 45-degree-angle weld lines, the indicator on the slider corresponding to the scale on the main scale is the height of the 45-degree-angle weld line.



In measuring the height of 45-degree-angle weld lines, the indicator on the slider corresponding to the scale on the main scale is the height of the 45-degree-angle weld line.

In measuring the gap of weldments, the indicator on the multi-purpose gauge corresponding to the scale on the main scale is the gap of the weldment.



Maintenance

1. Welding inspection ruler cannot be stacked together with other tools, to avoid distortion, scratches, and fuzzy scale, which can affect the accuracy.
2. It is forbidden to scrub the engraved lines with banana water.
3. Never use the gap gauge on a multi-purpose ruler as a screwdriver.